

dline

Door closers

About d line
d line is a heritage Danish design brand conceiving and hand-crafting enduring architectural hardware, sanitary ware and solutions for barrier-free living. Its products are present in many iconic buildings, from MoMA and Via 57 West in New York City, to the SAS Royal Hotel and the Royal Danish Playhouse in Copenhagen.

The brand's ambition is to be universally known, coveted and admired for the uncompromising endurance of its design, craftsmanship and quality.



new door



Enduring design by d line

At d line, we have always believed in design that responds to a need. So when our architect clients started to request door closers for their builds that go beyond those we'd already created, we explored adding further exceptional solutions to our offer – all to complement our enduring, timeless designs.

A perfectly performing whole

We have worked with leading door control experts because we believe that every one of a building's practical details should be a perfectly performing whole, so their unseen elements – however microscopic – should be of the very best quality and design.

This means we can now provide two programmes of door closers: to meet the need of every type of project or building, we've innovated both a premium programme, and a universal option that's correspondingly priced.

The external design and finish has been created for d line by Knud Holscher, who designed our launch collection back in 1971. Like every d line product, these designs are minimal and enduring, handcrafted in superb quality materials to superb quality standards.

Advanced door closers

We approached dormakaba about co-creating our advanced line of door closers because of its specialism in intelligent, integrated door systems that are renowned for their consistency, convenience, functionality and premium quality.

The resulting programme is one of solutions for almost any door situation, and combines advanced, perfectly functioning internal components with advanced, perfectly finished materials and design.

Every d line advanced door closer shares:

- Knud Holscher design
- dormakaba advanced technology
- AISI 316 stainless steel
- Wide product line with many features
- CE-certified; certifiere-certified
- Swift, simple installation

Across the following pages are details of the different door closer types in the advanced programme.

Rack-and-pinion door closers



Description:

Door closer TS73 V BC EN2-4
 Door closer TS83 BC/DC EN2-5
 Door closer TS83 BC/DC EN3-6

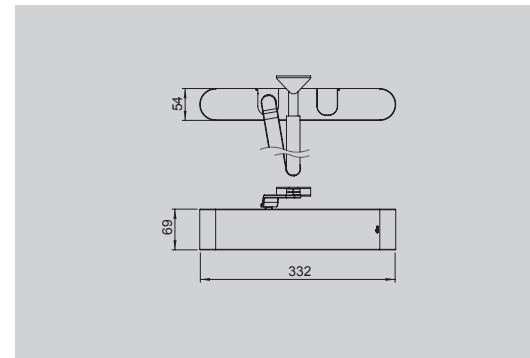
Item Number:

14539402011
 14539402001
 14539402002

Features:

- Non-handed
- Adjustable closing and latching speeds
- Self-regulating back check
- Delayed action on TS83
- Wide opening (standard fixing) angle: 180 degrees
- CE-certified
- Certifire-certified

Technical drawing:



Sliding channel door closers



Description:

Door closer TS 92 B EN 1-4
 Door closer TS 92 G EN 1-4
 Door closer TS 93 B BC/DC EN 2-5
 Door closer TS 93 G BC/DC EN 2-5

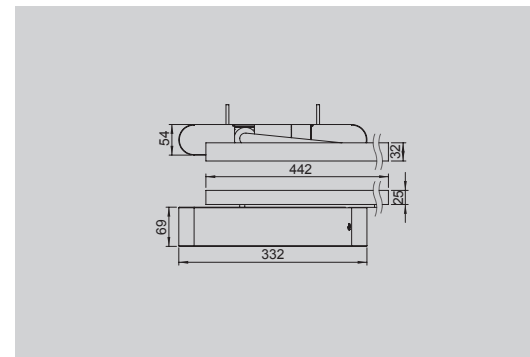
Item Number:

14539402003
 14539402004
 14539402005
 14539402006

Features:

- Non-handed
- Cam action
- Adjustable closing and latching speeds
- Self-regulating back check on TS93
- Delayed action on TS93
- Wide opening (standard fixing) angle: 180 degrees
- CE-certified
- Certifire-certified

Technical drawing:



d line

Sliding channel door closers



Description:

Door closer TS 99 free swing, standard fixing
 Door closer TS 99 free swing, frame fixing

Item Number:

14539402014
 14539402015

Features:

- Non-handed
- Adjustable closing and latching speeds
- Wide opening (standard fixing) angle: 180 degrees
- CE-certified
- Certifire-certified

Concealed door closers



Description:

Door closer ITS 96 EN 2-4
 Door closer ITS 96 EN 3-6

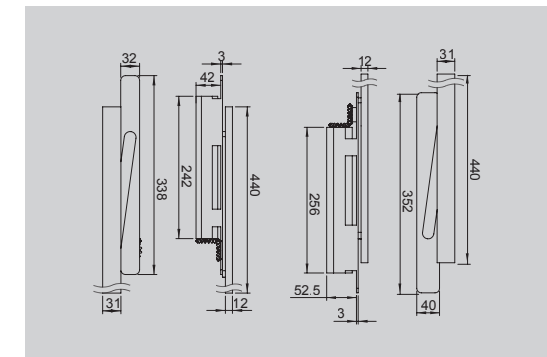
Item Number:

14539402007
 14539402008

Features:

- Non-handed
- Cam action
- Adjustable closing and latching speeds
- Opening (fixing) angle: 120 degrees
- EN 2-4 fits 44mm doors, which is the most used door in standard projects
- EN 3-6 fits 54mm doors
- CE-certified, UL-listed
- Certifire-certified

Technical drawing:



Advanced

Floor spring

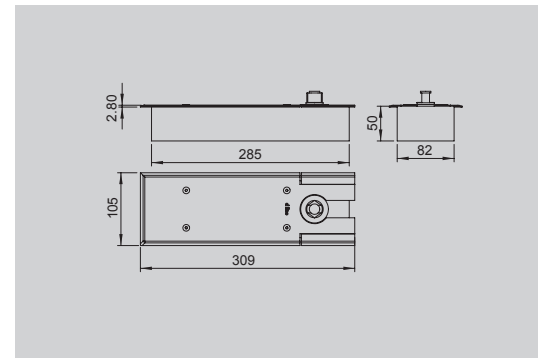


Description:	Item Number:
Door closer BTS 75 V DA	14539402009
Door closer BTS 75 V SA	14539402010

Features:

- Non-handed
- Adjustable closing and latching speeds
- Wide opening angle: 180 degrees
- Mechanical back check
- Double and single action
- CE-certified
- Certifire-certified

Technical drawing:



GSR and EMF door closers



Description:	Item Number:
Door closer TS 93 B EN 2-5 GSR V	14539402018
Door closer TS 93 G EN 2-5 GSR V	14539402019
Door closer TS 93 B EN 2-5 GSR VK	14539402020
Door closer TS 93 B EN 2-5 GSR VL	14539402021
Door closer TS 93 B EN 2-5 GSR EMF-1 V	14539402022
Door closer TS 93 B EN 2-5 GSR EMF-1 VK	14539402023
Door closer TS 93 B EN 2-5 GSR EMF-1 VL	14539402024
Door closer TS 93 B EN 2-5 GSR EMF-2 V	14539402025
Door closer TS 93 B EN 2-5 GSR EMF-2 VK	14539402026
Door closer TS 93 B EN 2-5 GSR EMF-2 VL	14539402027
Door closer TS 93 G EN 2-5 GSR EMF-2 V	14539402028
Door closer TS 93 G EN 2-5 GSR EMF-1 V	14539402029
Door closer TS 93 G EN 2-5 GSR EMF-1 VK	14539402030
Door closer TS 93 G EN 2-5 GSR EMF-1 VL	14539402031

GSR series

Our Surface Applied Door Closer and Coordinator System – known as the GSR Series – combines exceptionally smooth and efficient door control with proper sequential closing for pairs of doors that are equipped with astragals or exit devices.

Features:

- Non-handed
- Smooth, efficient door control
- Sequential closing for pairs of doors
- Highly efficient coordinator
- Swift, simple installation; quiet operation
- CE-certified
- Certifire-certified

d line

EMF door closers



Description:	Item Number:
Door closer TS 93 B EN 2-5 EMF	14539402016
Door closer TS 93 G EN 2-5 EMF	14539402017

EMF series

To allow for the use of hold-open mechanisms on fire-rated door solutions, surface-mounted cam action door closers feature a variety of configurations with integrated solenoid hold-open devices. Each device interfaces with a new or existing alarm system, so that when an alarm sounds, the hold-open function automatically disengages and the fire door can carry out its intended purpose.

Features:

- Interfaces with new or existing fire/smoke control systems
- Able to be wired for concealed or surface wiring
- Patented hold-open design

Advanced

Essential door closers

For clients whose builds require robust-yet-less-complex door closers, we have created an essential programme that has resulted in a programme of fewer product features.

Neat, small-bodied and competitively priced, each piece features well-functioning, well-engineered mechanisms beneath its sleekly minimal cover in signature AISI 316 stainless steel.

Every d line essential door closer shares:

- Knud Holscher design
- AISI 316 stainless steel
- Small closer bodies
- Competitively priced
- CE-certified
- Swift, simple installation

Across the following pages are details of the different door closer types in the essential programme.

Rack-and-pinion door closer**Description:**

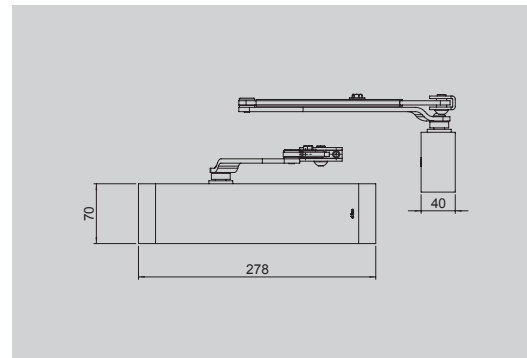
Door closer EN 2-5

Item Number:

14530202000

Features:

- Non-handed
- Adjustable closing and latching speeds
- Delayed action optional
- Wide opening (standard fixing) angle: 180 degrees
- CE-certified

Technical drawing:**Sliding channel door closer****Description:**

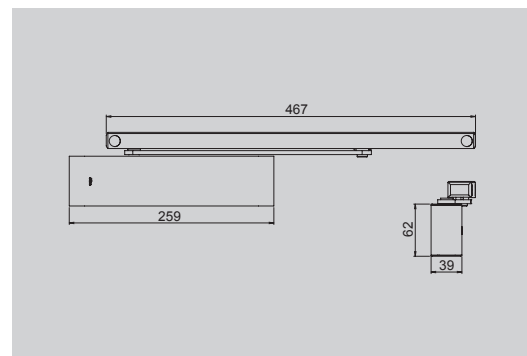
Door closer EN 2-4 w/ cam action

Item Number:

14530602100

Features:

- Non-handed
- Cam action
- Adjustable closing and latching speeds
- Opening (standard fixing) angle: 120 degrees
- CE-marked (EN 3)

Technical drawing:

d line

Concealed door closer**Description:**

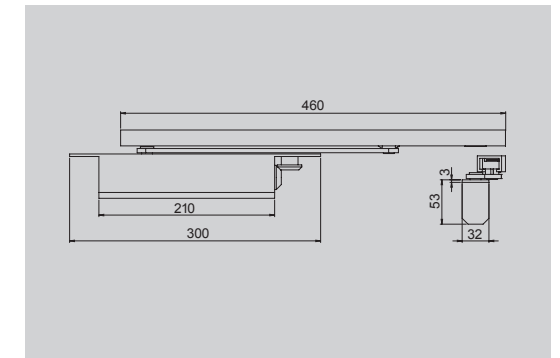
Concealed door closer EN 2-4

Item Number:

14530802100

Features:

- Non-handed
- Cam action
- Adjustable closing and latching speeds
- Opening (fixing) angle: 120 degrees
- Fits 40mm doors – the most-used standard in projects
- CE-marked (EN 3)
- EN 2-5 w/ rack-and-pinion is also available with item number 14530802000

Technical drawing:**Floor spring****Description:**

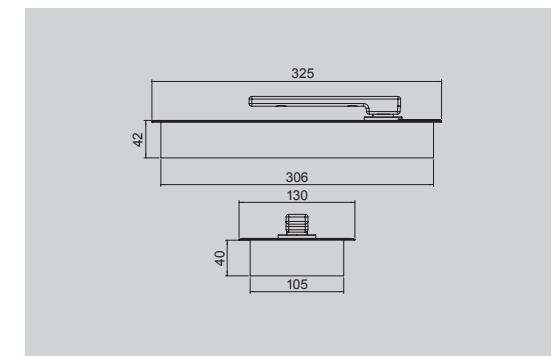
Floor spring EN 4 w/ double action

Item Number:

14531002004

Features:

- Non-handed
- Adjustable closing and latching speeds
- Opening (fixing) angle: 130 degrees
- Double and optional single action
- CE-certified

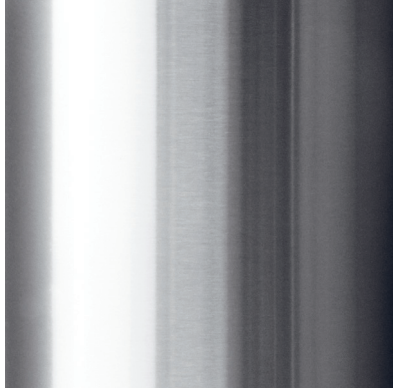
Technical drawing:

Essential

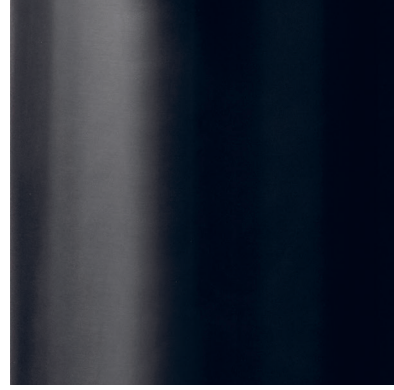
Colours and finishes

No matter which you choose, every d line door closer style that has resulted from our two new programmes are available in the following finishes.

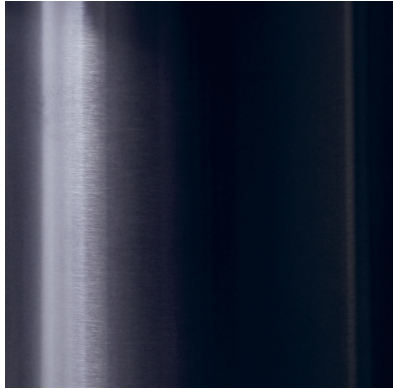
Satin stainless steel



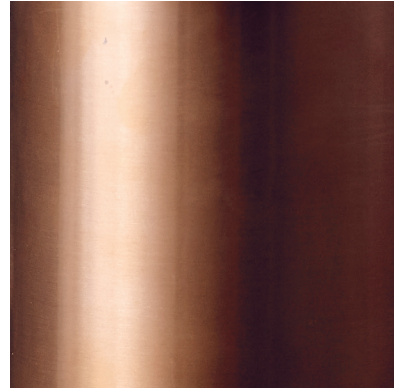
PVD charcoal



PVD gunmetal



PVD copper



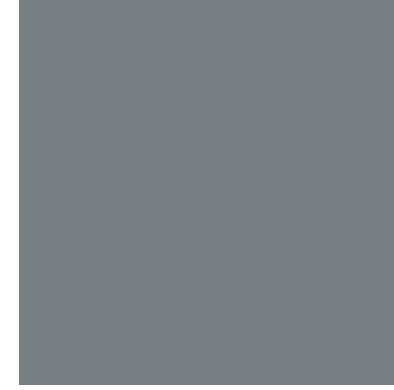
PVD brass



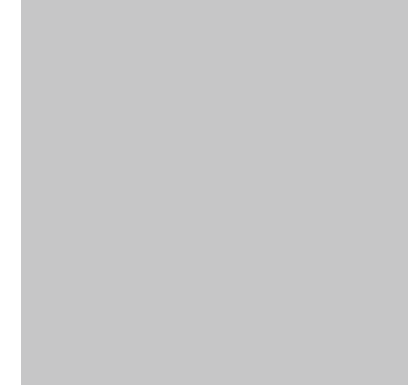
RAL 9005 Black



RAL 7037 Dusty Grey



RAL 7047 Telegrey



RAL 9016 White

